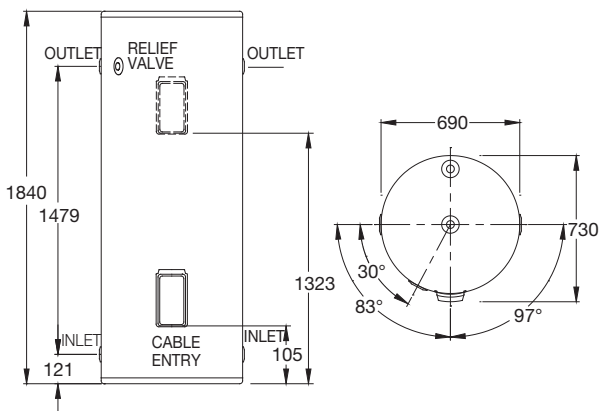




### Features & Benefits

- Easy retrofit
- Dual handed inlet and outlet fittings
- Exclusive Rheem Ultraname<sup>®</sup>
- Thicker sacrificial anode
- Twin element model - 492400
- Australian made
- 12 year cylinder warranty<sup>1</sup>



MODEL	491400 492400
Hot Water Delivery (L)	400
kW Rating	3.6, 4.8
Relief Valve Pressure (kPa)	1000
Expansion Control Valve (kPa)	850
<b>Max Water Supply Pressure:</b>	
with ECV (kPa)	680
without ECV (kPa)	800
Water Connections	Rp <sup>3</sup> / <sub>4</sub>
Approx. Weight (packaged) kg	120



Scan code for details & installation instructions

